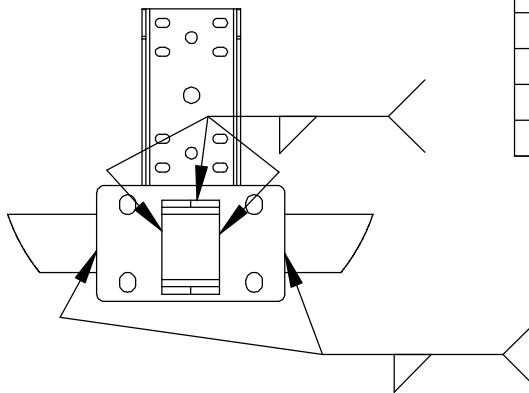
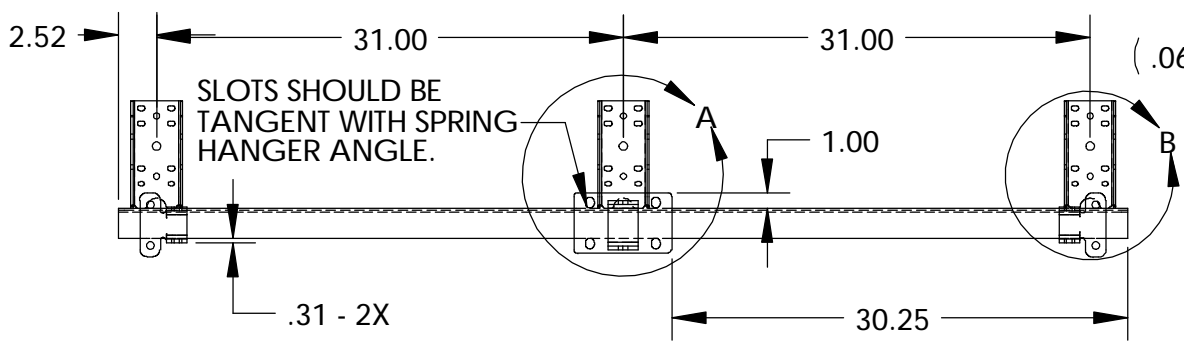
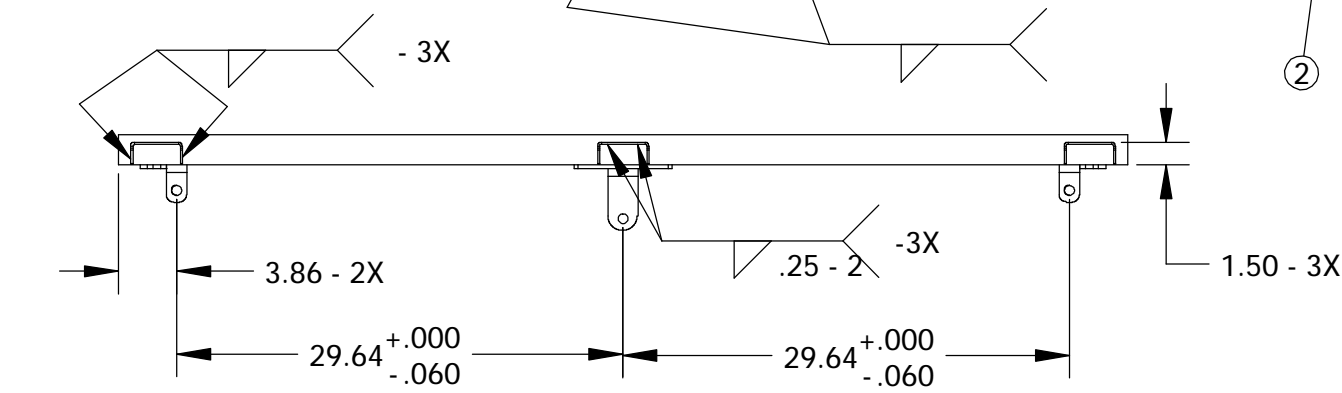


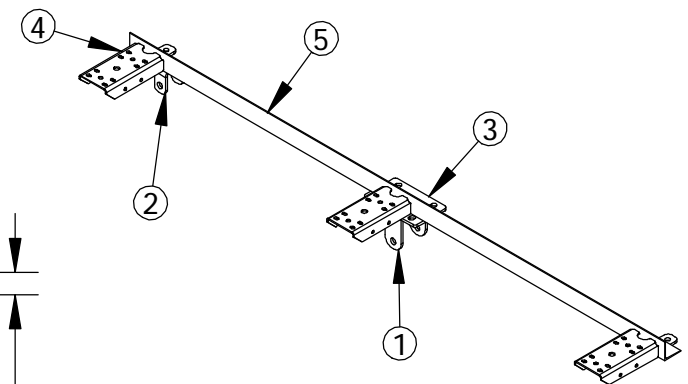
DETAIL A



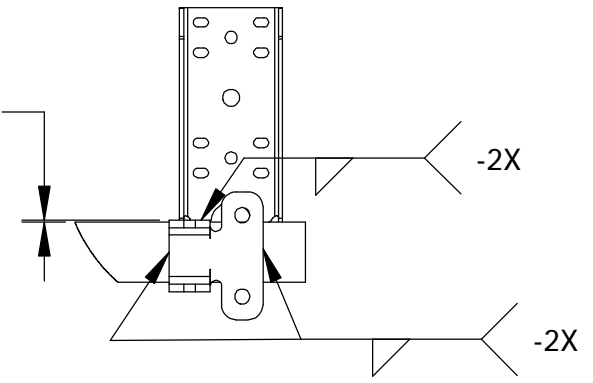
ITEM NO.	PART NO.	DESCRIPTION	QTY.
1	100-00713	EQUALIZER HANGER BRACKET	1
2	100-01493	SPRING HANGER BRACKET	2
3	100-01496	TANDEM HANGER PLATE	1
4	100-01503	FENDER BRACKET	3
5	221-00022	ANGLE	1



SLOTS SHOULD BE TANGENT WITH SPRING HANGER ANGLE.



DETAIL B



ALL DIMENSIONS ARE IN INCHES UNLESS OTHERWISE STATED
 TOLERANCES EXCEPT AS NOTED
 DECIMALS:
 .X ±0.100
 .XX ±0.060
 .XXX ±0.030
 .XXXX ±0.010
 ANGLES:
 ±1°
 ALL FORMED ANGLES EQUAL 90° UNLESS NOTED OTHERWISE
 () INDICATES REFERENCE

THE INFORMATION IN THIS DRAWING IS THE SOLE PROPERTY OF KARAVAN TRAILERS, INC. ANY REPRODUCTION IN PART OR WHOLE WITHOUT THE WRITTEN PERMISSION OF KARAVAN TRAILERS, INC. IS PROHIBITED.
 APPROVED BY:
DOUG DRAY
 DRAWN BY:
AMY L. THOMAS
 DATE:
 11-16-00
 SHEET:
 1 OF 1
 SCALE:
 N/A

KARAVAN
 TRAILERS
 TITLE: **SPRING HANGER TANDEM WELDMENT**
 MAT'L: **SEE B.O.M.**
 FINISH: **-ZN**
 DWG. #: **300-01138-K**

DWG. REV.	ECR/NDR NUMBER	REVISED BY	DATE	DESCRIPTION
K/2	14592	MCS	09-15-14	UPDATED WELD SYMBOLS
K/1	14592	MH	05-12-08	UPDATED WELD SYMBOLS

First Piece - In Process Inspection Sheet

Vendor _____

Description: **Spring Hanger Tandem Weldment**

Part # **300-01138**

Rev. **K/2**

QA Approval: K. Boomsma

JOB# _____

Characteristic	Tol.	Method	Freq.	1st Piece	A/R	2	A/R	3	A/R	4	A/R	5	A/R	6	A/R	7	A/R	Inspected By:	
3.86 - 2X	± .06	Tape	2x per shift															1	/
1.50 - 3X	± .06	Tape	2x per shift															2	/
29.64 - 2X	+ .000 - .060	Tape	2x per shift															3	/
2.52	± .06	Tape	2x per shift															4	/
31.00 - 2X	± .06	Tape	2x per shift															5	/
1.00	± .06	Tape	2x per shift															6	/
.31 - 2X	± .06	Tape	2x per shift															7	/
30.25	± .06	Tape	2x per shift																
Slots should be tangent with spring hanger angle	NA	Visual	Every piece																
Weld per print	NA	Visual	Every piece																
Remove all visible weld spatter, every piece	NA	Visual	Document 4x per shift																