

NOTES:

- 1 CUSTOM BOLT:  
MATERIAL: 1038, RC 25-34  
FINISH: ZP/ULTRASEAL
- 2 KNOB:  
MATERIAL: PLASTIC

ALL DIMENSIONS ARE IN INCHES  
UNLESS OTHERWISE STATED  
TOLERANCES EXCEPT AS NOTED

**DECIMALS:**

.X	±0.100
.XX	±0.060
.XXX	±0.030
.XXXX	±0.010

**ANGLES:**

±1°  
ALL FORMED ANGLES  
EQUAL 90° UNLESS  
NOTED OTHERWISE

( ) INDICATES REFERENCE

THE INFORMATION IN THIS DRAWING IS THE SOLE  
PROPERTY OF KARAVAN TRAILERS, INC. ANY  
REPRODUCTION IN PART OR WHOLE WITHOUT  
THE WRITTEN PERMISSION OF KARAVAN TRAILERS,  
INC. IS PROHIBITED

**APPROVED BY:**  
DOUG DRAY

**DRAWN BY:**  
JOEL NEHRING

**DATE:**  
04-14-04

**SHEET:**  
1 OF 2

**SCALE:**  
N/A



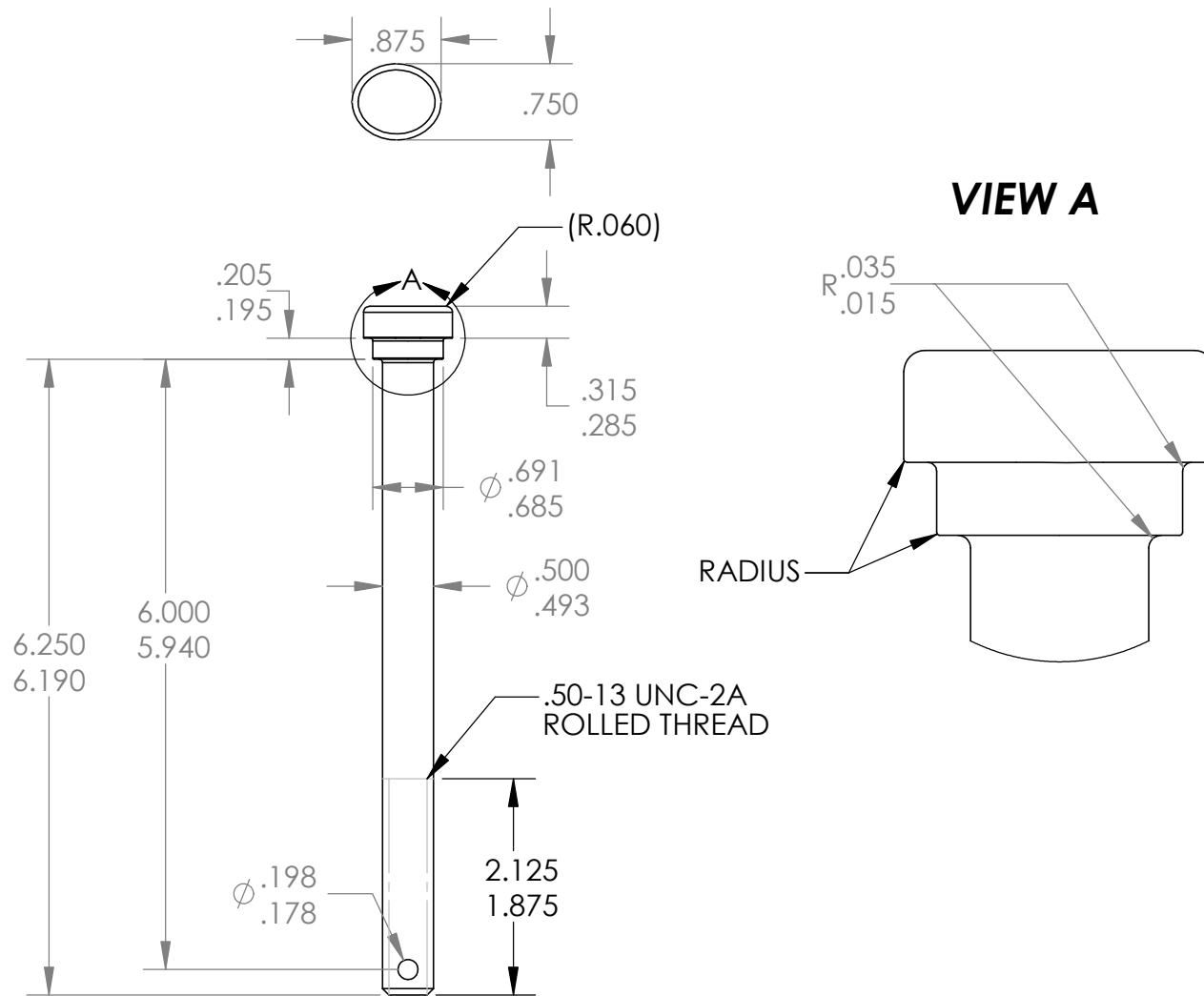
**TITLE:**  
BOLT KNOB ASSY

**MAT'L:**  
PURCHASED

**FINISH:**  
N/A

**DWG. #:**  
**229-00288**

DWG. REV.	ECR/NDR NUMBER	REVISED BY	DATE	DESCRIPTION
B	12806	DWG	06-04-04	6.250 & 6.190 WAS 6.625 & 6.565 ~ 6.000 & 5.940 WAS 6.375 & 6.315~2.125 & 1.875 WAS 2.500 & 2.250
A	12633	JRN	04-14-04	DRAWING CREATED



NOTES:  
 1.) CUSTOM BOLT:  
 MATERIAL: 1038, RC 25-34  
 FINISH: ZP/ULTRASEAL

ALL DIMENSIONS ARE IN INCHES  
 UNLESS OTHERWISE STATED  
 TOLERANCES EXCEPT AS NOTED

**DECIMALS:**

.X	±0.100
.XX	±0.060
.XXX	±0.030
.XXXX	±0.010

**ANGLES:**

±1°

ALL FORMED ANGLES  
 EQUAL 90° UNLESS  
 NOTED OTHERWISE

( ) INDICATES REFERENCE

THE INFORMATION IN THIS DRAWING IS THE SOLE  
 PROPERTY OF KARAVAN TRAILERS, INC. ANY  
 REPRODUCTION IN PART OR WHOLE WITHOUT  
 THE WRITTEN PERMISSION OF KARAVAN TRAILERS,  
 INC. IS PROHIBITED

**APPROVED BY:**

DOUG DRAY

**DRAWN BY:**

JOEL WEARING

**DATE:**

04-14-04

**SHEET:**

2 OF 2

**SCALE:**

N/A



**TITLE:**

BOLT KNOB ASSY

**MAT'L:**

PURCHASED

**FINISH:**

N/A

**DWG. #:**

**229-00288**

DWG. REV.	ECR/NDR NUMBER	REVISED BY	DATE	DESCRIPTION
B	12806	DWG	06-04-04	6.250 & 6.190 WAS 6.625 & 6.565 ~ 6.000 & 5.940 WAS 6.375 & 6.315-2.125 & 1.875 WAS 2.500 & 2.250
A	12633	JRN	04-14-04	DRAWING CREATED