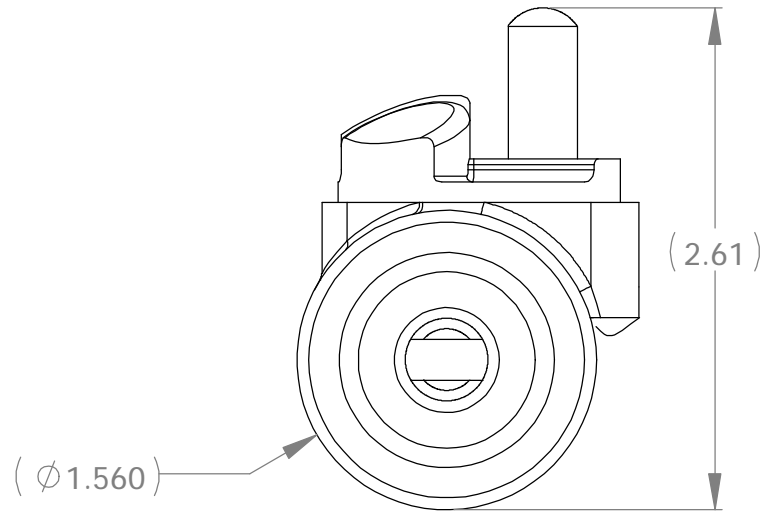
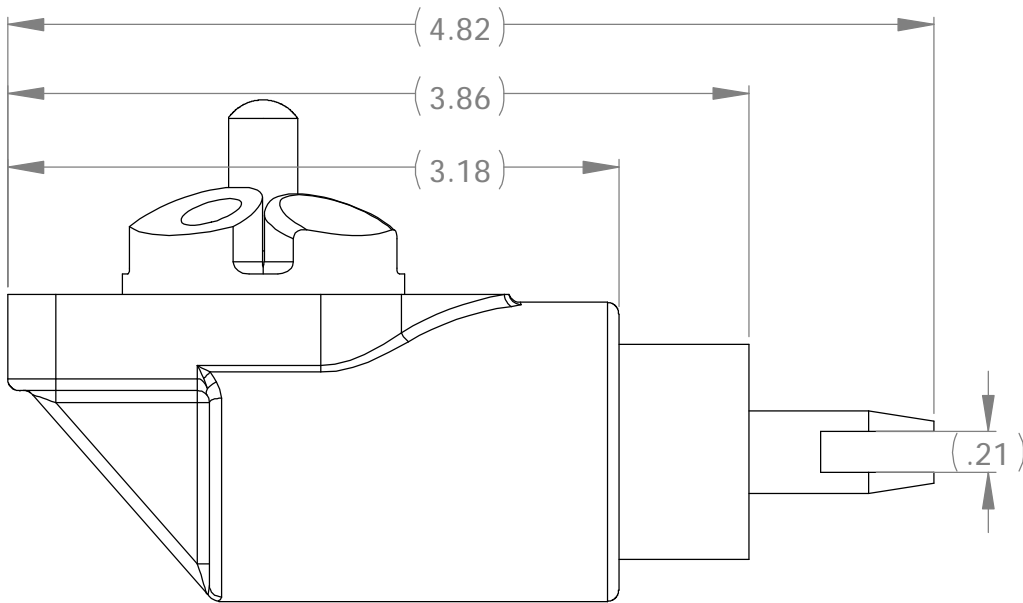
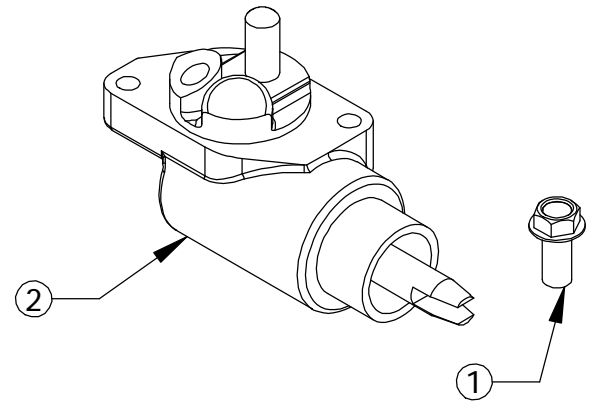
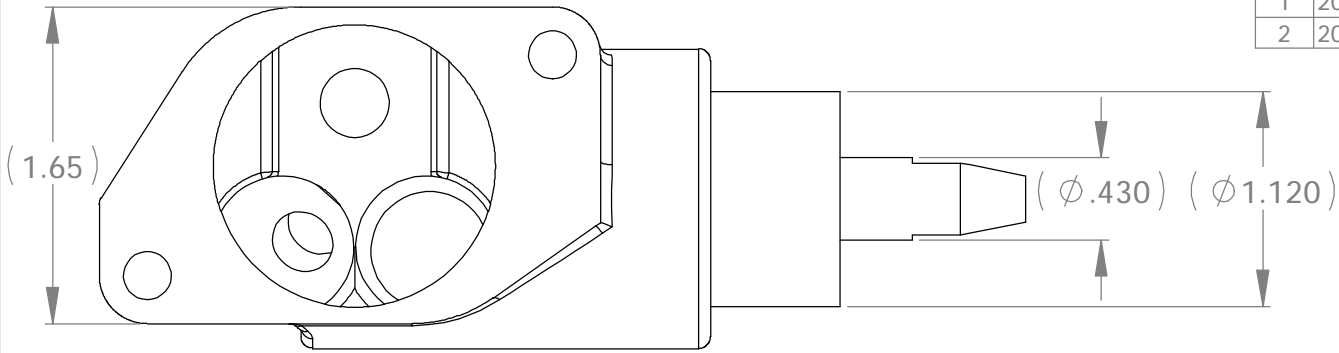


| ITEM NO. | PART NUMBER | DESCRIPTION | QTY. |
|----------|-----------------|------------------------------|------|
| 1 | 203-00004-SP1-1 | WHEEL CYLINDER BOLT W/WASHER | 2 |
| 2 | 203-00004-SP1-2 | LEFT WHEEL CYLINDER | 1 |



NOTE:

1.) VENDOR: TIE DOWN PART#: 11009
-OR APPROVED EQUIVALENT

2.) EACH WHEEL CYLINDER COMES WITH TWO BOLTS

ALL DIMENSIONS ARE IN INCHES
UNLESS OTHERWISE STATED
TOLERANCES EXCEPT AS NOTED

DECIMALS:

.X ±0.100
.XX ±0.060
.XXX ±0.030
.XXXX ±0.010

ANGLES:

±1°
ALL FORMED ANGLES
EQUAL 90° UNLESS
NOTED OTHERWISE

() INDICATES REFERENCE

THE INFORMATION IN THIS DRAWING IS THE SOLE
PROPERTY OF KARAVAN TRAILERS, INC. ANY
REPRODUCTION IN PART OR WHOLE WITHOUT
THE WRITTEN PERMISSION OF KARAVAN TRAILERS,
INC. IS PROHIBITED.

APPROVED BY:

DRAWN BY:
PATRIC SCHMIT

DATE: 11-15-06

SHEET: 1 OF 1

SCALE: N/A

KARAVAN
TRAILERS

TITLE:
WHEEL CYLINDER REPLACEMENT KIT
L.H.

MAT'L: PURCHASED

FINISH: N/A

DWG. #: 203-00004-SP5-A

| DWG. REV. | ECR/NDR NUMBER | REVISED BY | DATE | DESCRIPTION |
|-----------|----------------|------------|----------|-----------------|
| A | 13859 | PCS | 11-15-06 | DRAWING CREATED |