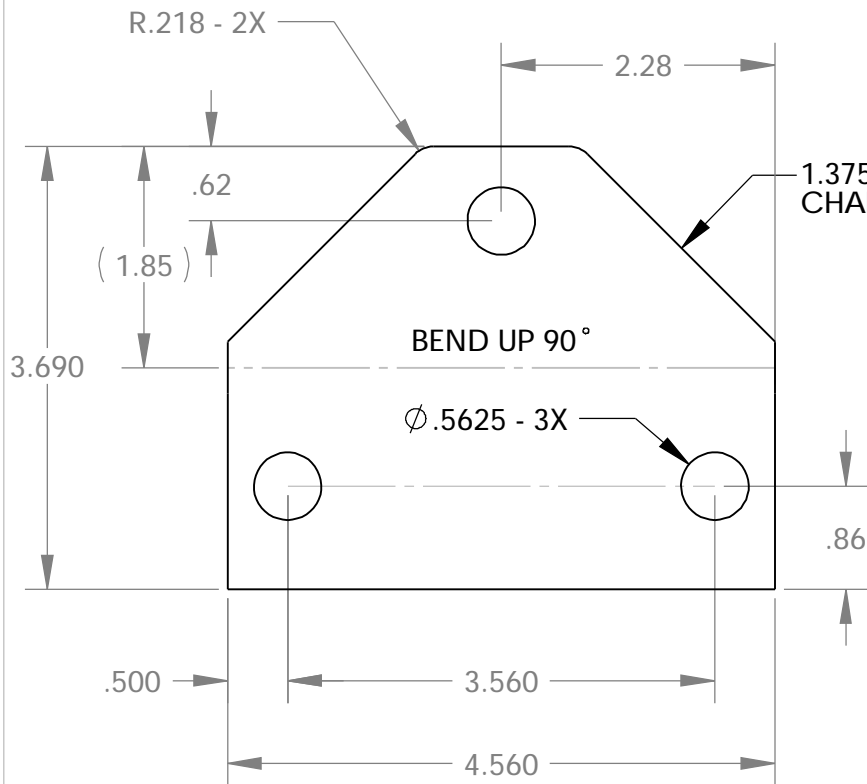
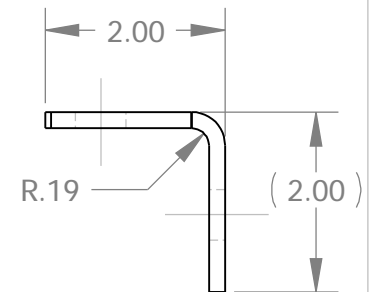
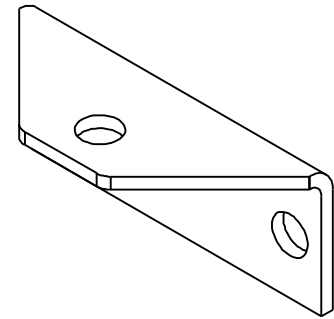
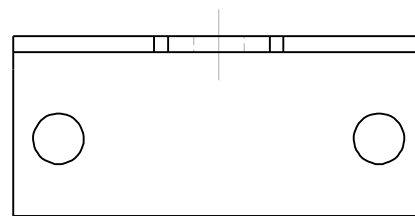
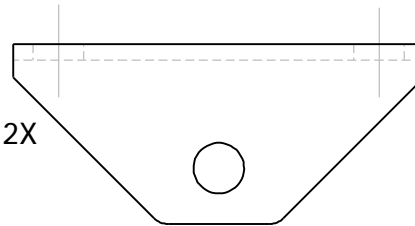


FLAT VIEW



FORMED VIEWS



ALL DIMENSIONS ARE IN INCHES
UNLESS OTHERWISE STATED
TOLERANCES EXCEPT AS NOTED
DECIMALS:

.X ±0.100
 .XX ±0.060
 .XXX ±0.030
 .XXXX ±0.010

ANGLES:
 ±1°

ALL FORMED ANGLES
 EQUAL 90° UNLESS
 NOTED OTHERWISE

() INDICATES REFERENCE

THE INFORMATION IN THIS DRAWING IS THE SOLE
PROPERTY OF KARAVAN TRAILERS, INC. ANY
REPRODUCTION IN PART OR WHOLE WITHOUT
THE WRITTEN PERMISSION OF KARAVAN TRAILERS,
INC. IS PROHIBITED.

APPROVED BY: ---

DRAWN BY: ---

DATE: 02-07-97

SHEET: 1 OF 1

SCALE: N/A

KARAVAN
TRAILERS

TITLE: BUNK PIVOT BRACKET

MAT'L: 7GA H.R.P.O. SHEET

FINISH: -ZN

DWG. #: 100-00014

DWG. REV.	ECR/NDR NUMBER	REVISED BY	DATE	DESCRIPTION
J/1	14044	DLC	12-20-07	UPDATED DRAWING
J	13680	PCS	07-26-06	4.560 WAS 5.06; .500 WAS .75; 2.28 WAS 2.53